

Canrom L-1 Street Light

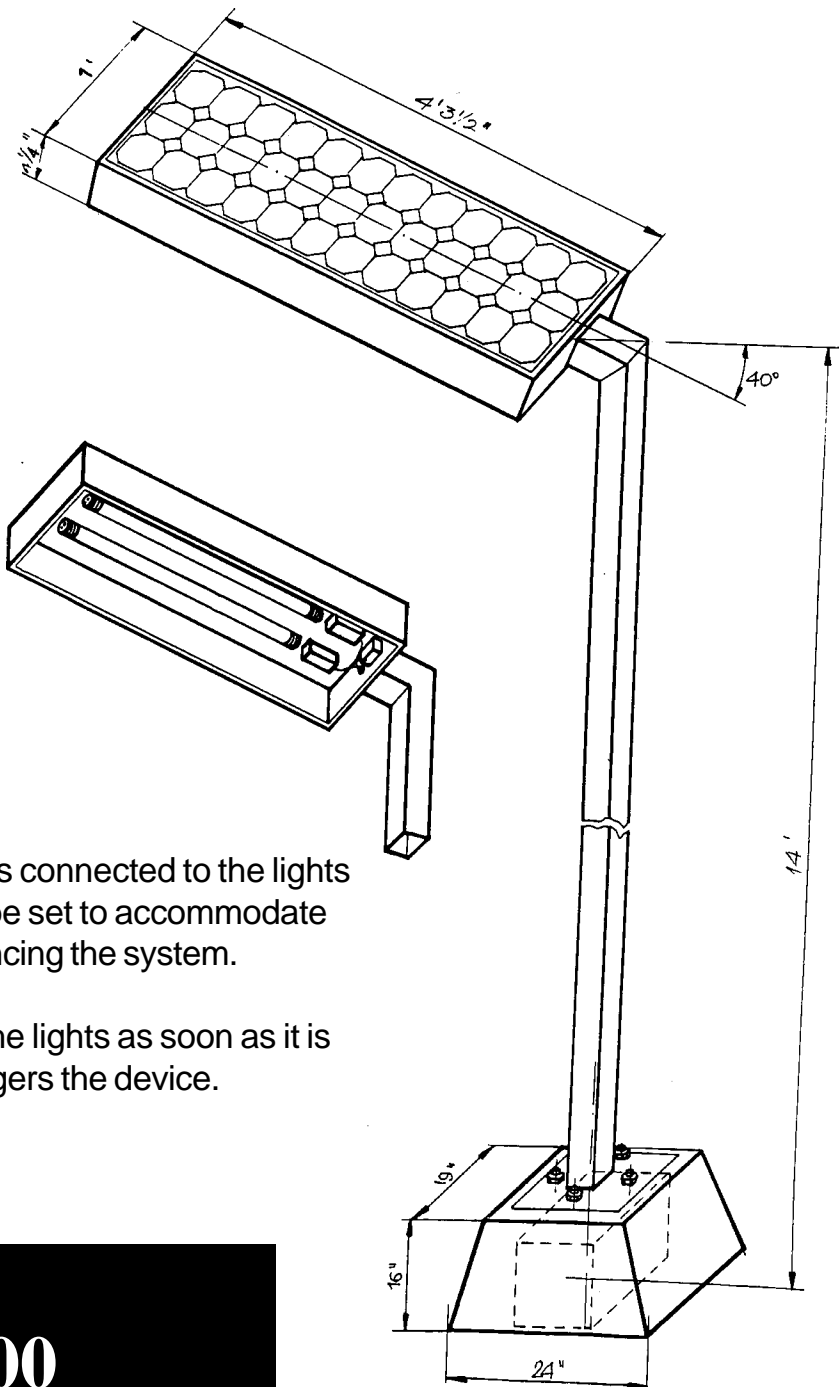
CANROM L-1 Street lights are the first of what will be an important line of products at Canrom.

Two, twenty watt fluorescent lights are mounted on the back of a fifty watt solar panel in a monolithic configuration. The solar cells are tailored specially to suit the length of the fluorescent tubes and the fixture is visually no different than a non-PV street light.

The battery is located at the tip of the concrete post and does not interfere aesthetically with the lighting fixture.

The 100Ah, deep cycle battery is connected to the lights through a time relay which can be set to accommodate particular needs without unbalancing the system.

A motion sensor will switch on the lights as soon as it is dark outside and something triggers the device.



PRICE:

\$ 1545.00

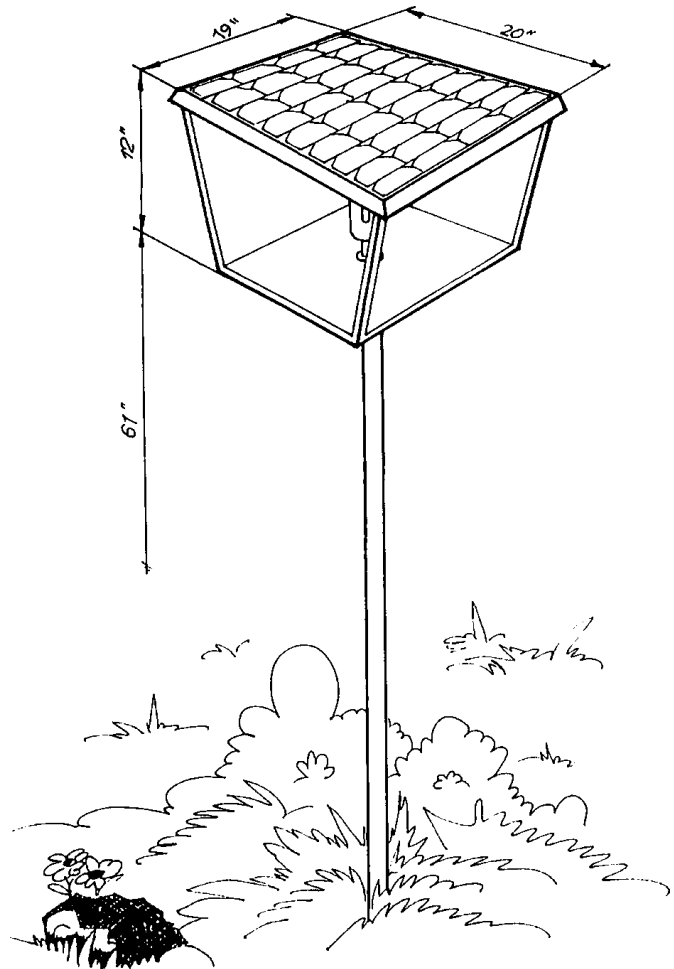
Canrom L-2 Garden Light

CANROM L-2 garden light is a compact, seven- or nine watt, fluorescent light mounted under a twenty watt solar panel, in a glass enclosure.

The 7 Ah, no-spill, rechargeable battery is located in the same enclosure.

The lighting fixture is controlled by a TRACE C12 Charge/Load/Lighting Controller which will charge the battery, disconnect the load at low battery voltage, and will keep the lights on after dusk for an adjustable period of up to nine hours.

The load circuit is in series with a motion sensing device which will disconnect the lights if there is no "action" in the vicinity.



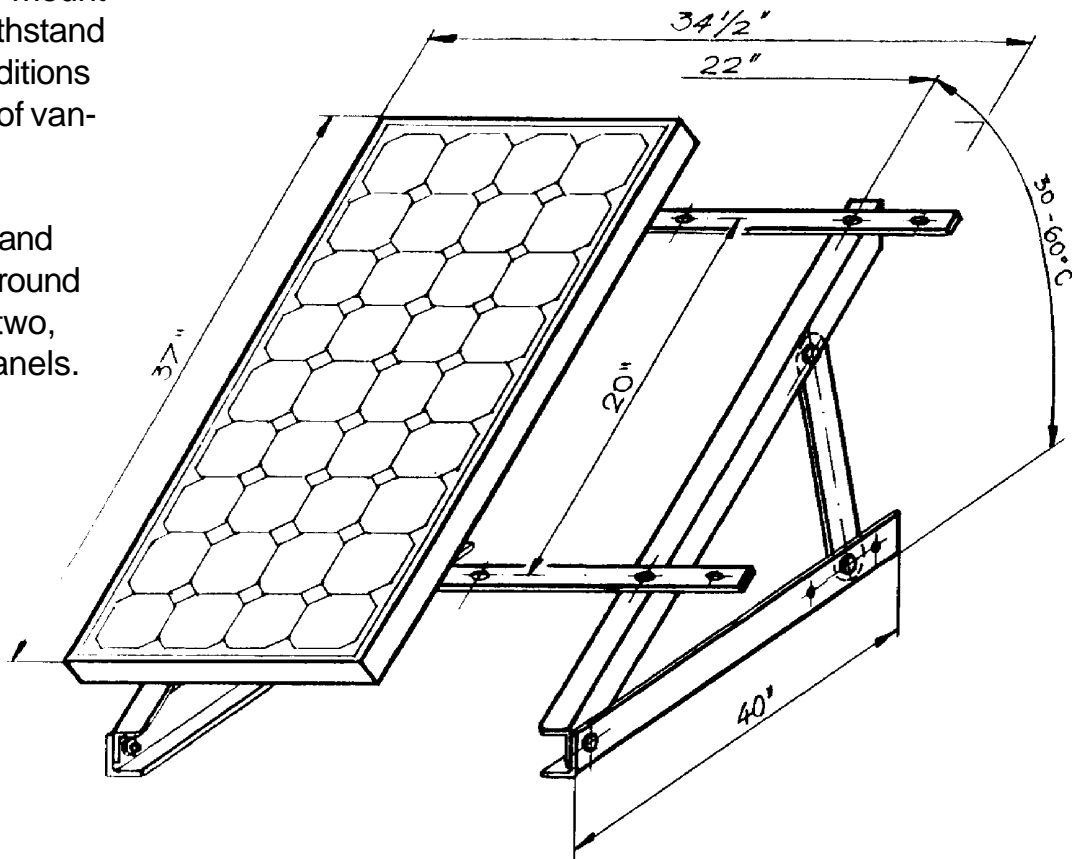
PRICE:

\$ 585.00

Module Support Structures

Solar modules are expensive investments, which benefit from proper mounting structures to withstand harsh weather conditions and the possibility of vandalism.

CANROM designs and makes aluminum ground or roof mounts for two, three, four or six panels.



ALUMINUM MOUNTS

Two modules: \$80.00

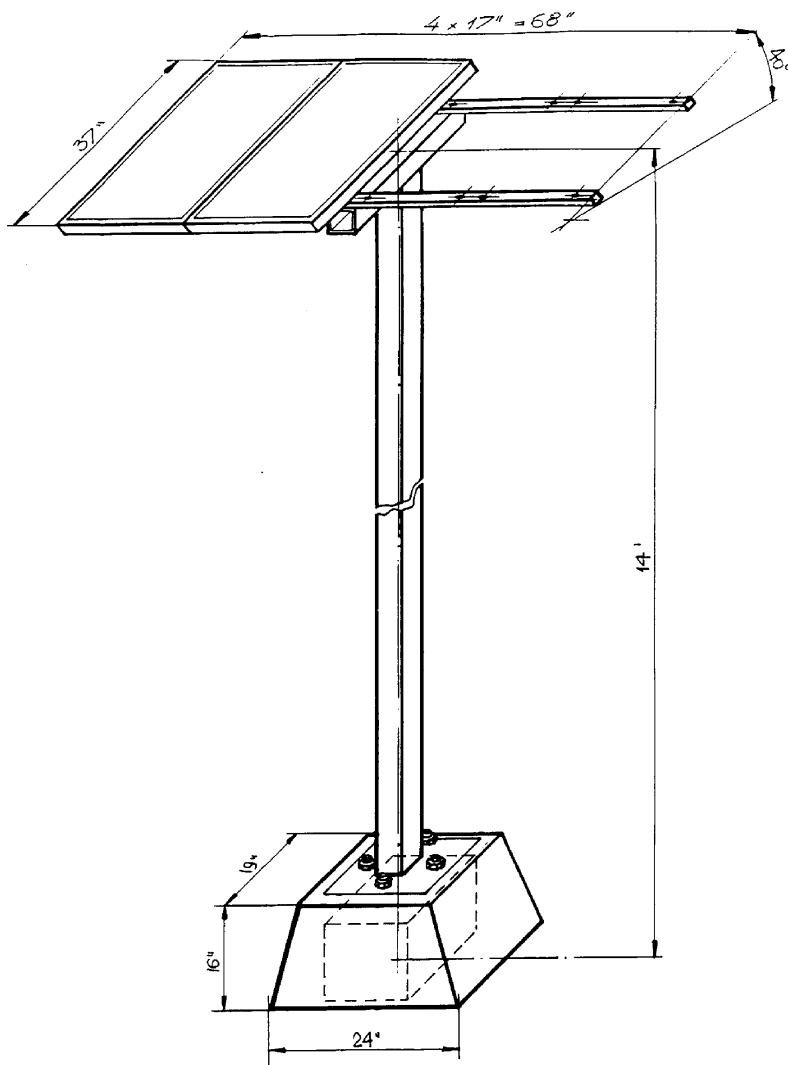
Three modules: \$110.00

Four modules: \$140.00

Six modules: \$220.00 (heavier frame, stronger anchors)

Top of Pole Support Structures

Two to six modules can be installed on a pole mount. The structure is made from square, tubular, structural steel 4"X4", with 1/8" thick walls. The pole is terminated with a 10"X10", half inch thick plate for mounting on a concrete pier. The pole comes with the bolts which will be imbedded in the required twelve inch concrete post. The pole is painted with an anti-rust primer. It has a fixed 40 degree inclination.



STEEL TOP-OF-POLE MOUNTS

Two modules: \$240.00

Three modules: \$250.00

Four modules: \$260.00

Six modules: \$280.00